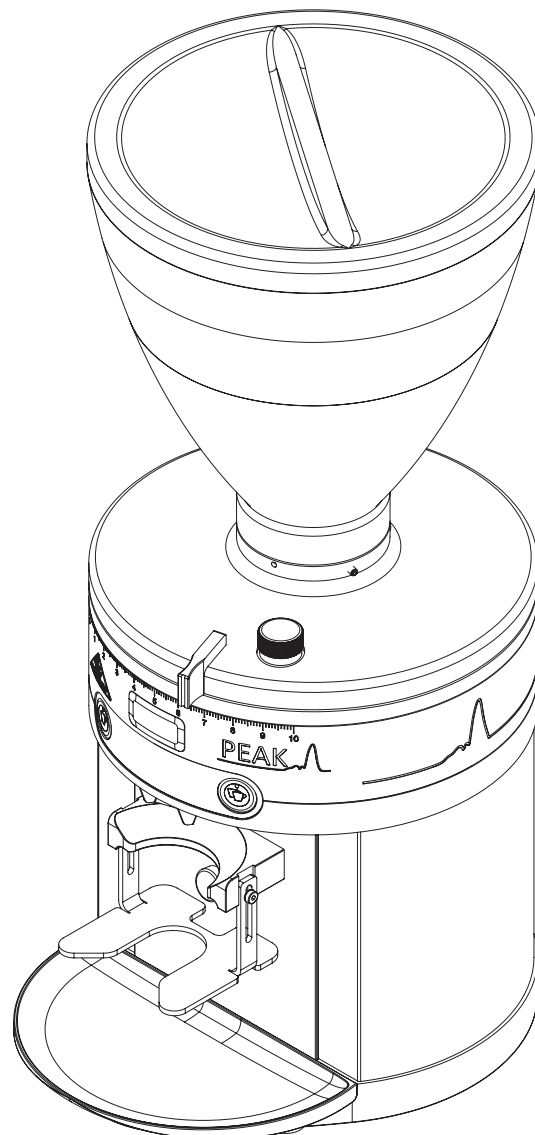


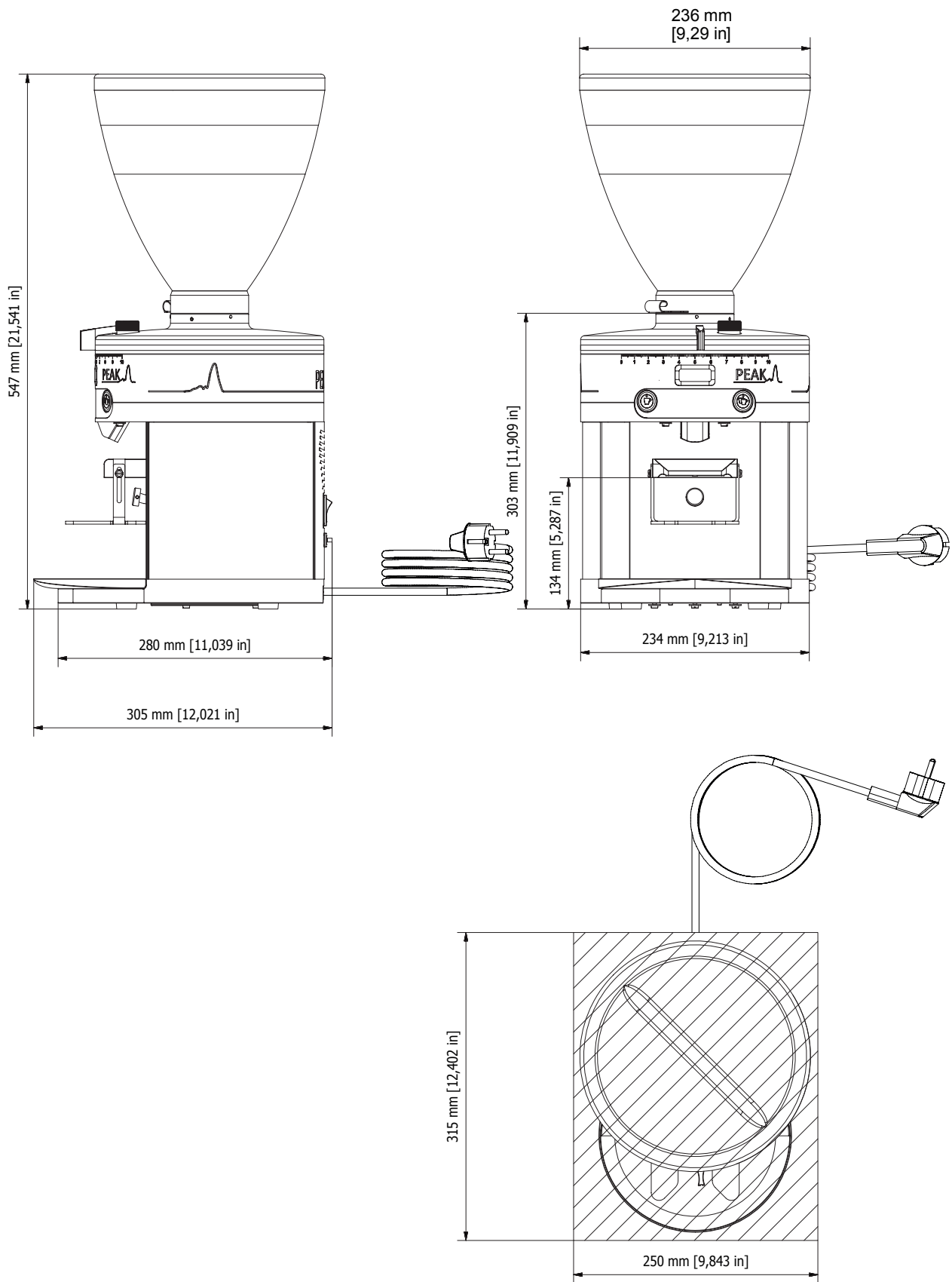
PEAK 200-240V 50/60Hz



Bei Bestellungen bitte unbedingt die **sechstellige Artikel- und Seriennummer** angeben.

Please indicate the **six digit article- and serial number** when ordering.

PEAK 200-240V 50/60Hz

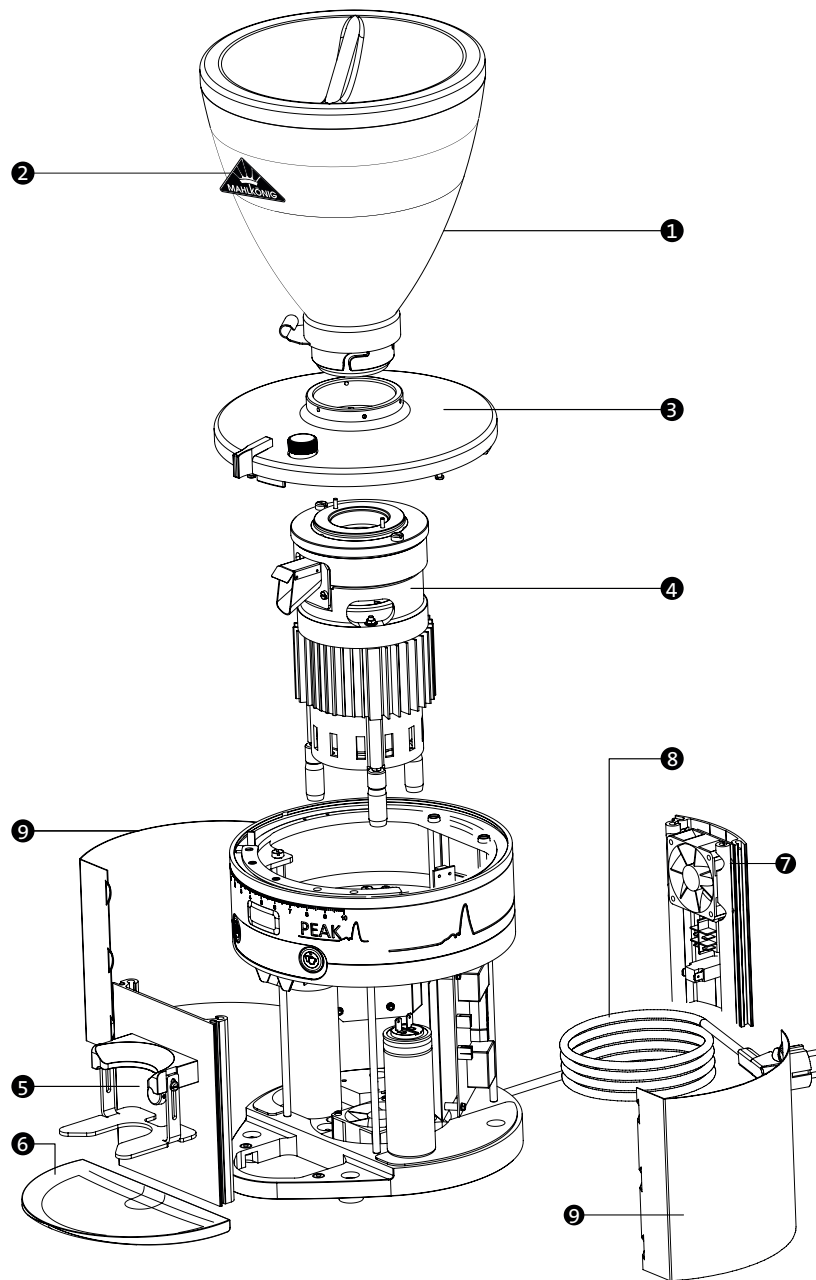


gültig ab / valid from
06-01-2017 | Seriennummer/Serial no: 576339

Änderungen vorbehalten. Subject to change without prior notice.

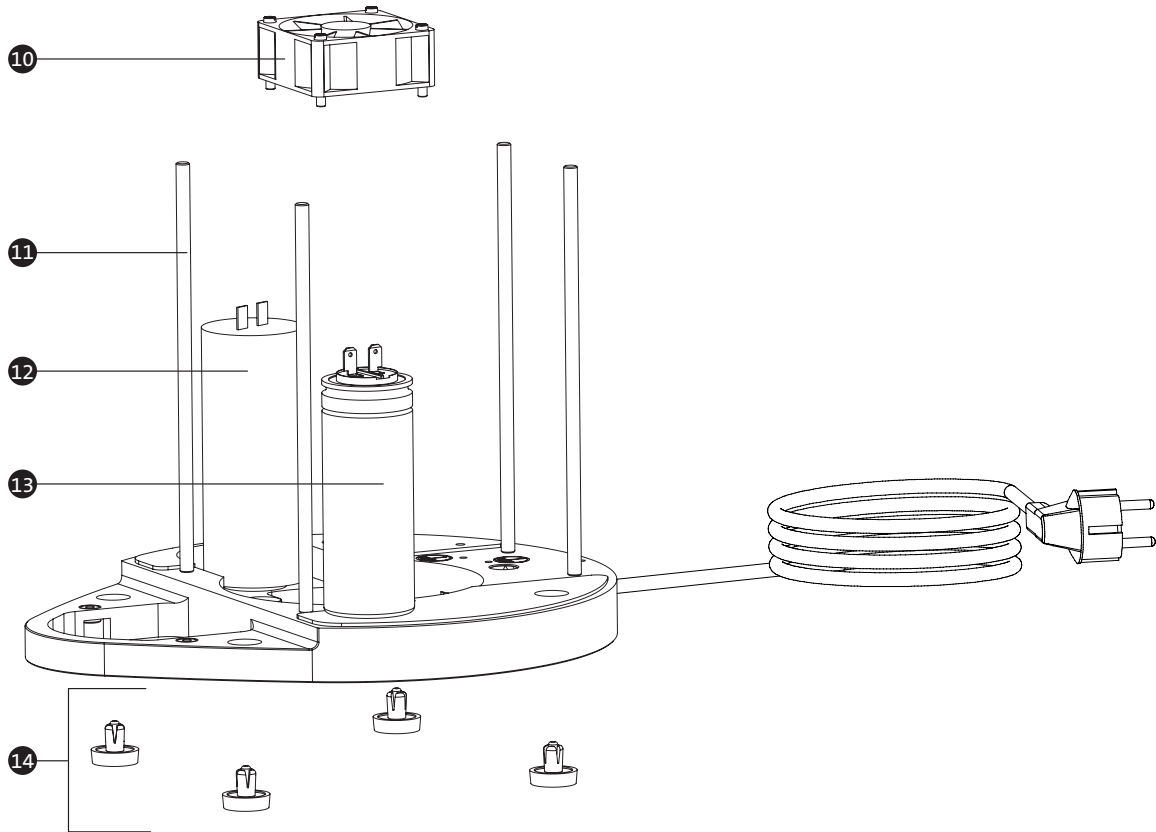


PEAK 200-240V 50/60Hz



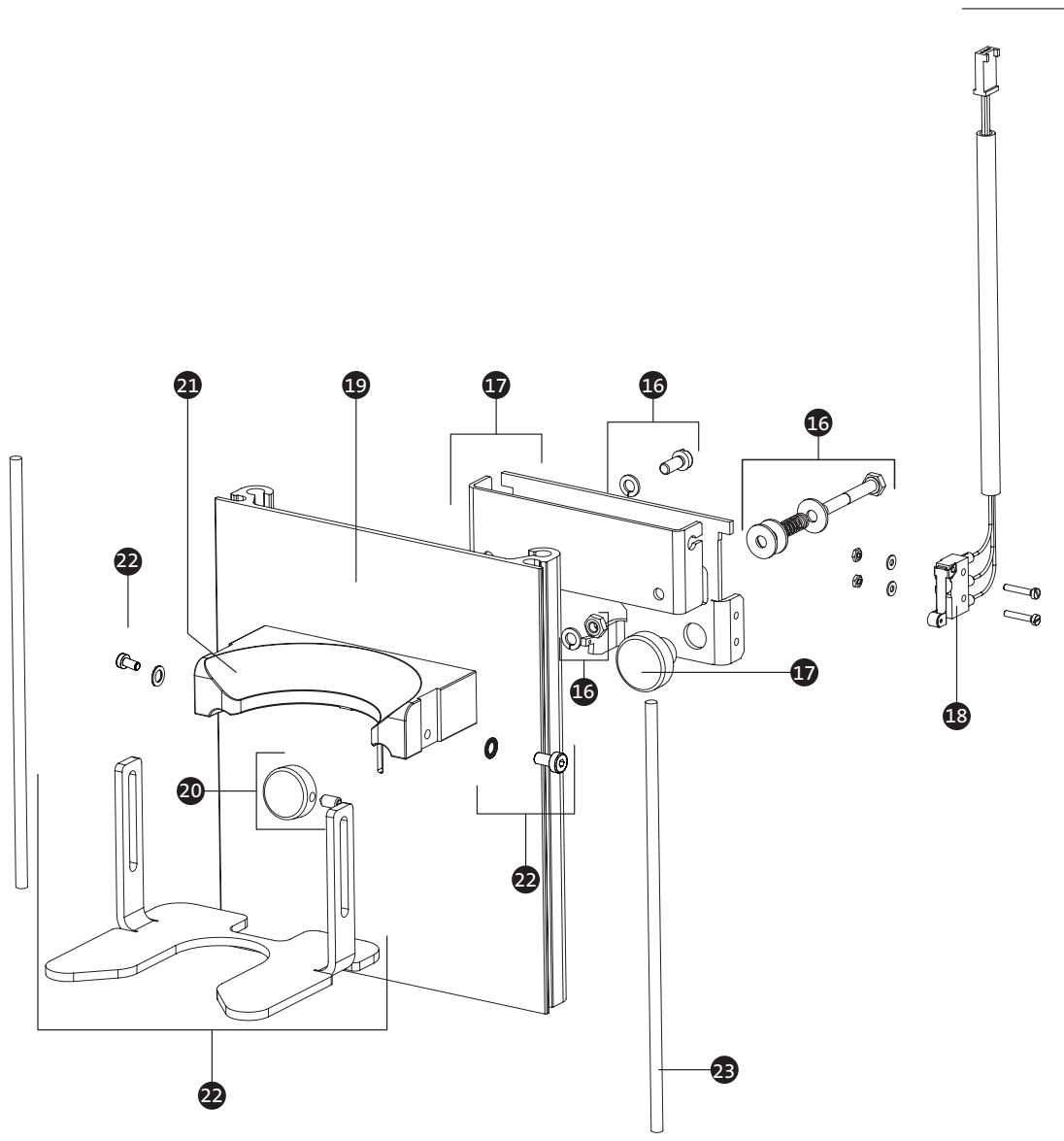
MATERIAL	POS.	BESCHREIBUNG	DESCRIPTION
309560	1	Bohnenbehälter mit Deckel (ohne Logo)	Hopper with lid (without logo)
104672	2	Sticker transparent MAHLKÖNIG	Sticker transparent MAHLKÖNIG
104578	3	Deckel Mahlgradverstellung komplett	Cover grind adjustment complete
104954	4	Einbaumühle 200 - 240V 60 Hz 1100 rpm	Built-in grinder 200 - 240V 60 Hz 1100 rpm
103014	4	Einbaumühle 200 - 240V 50 Hz 900 rpm	Built-in grinder 200 - 240V 50 Hz 900 rpm
104580	5	Vorderschale komplett	Front panel complete
306340	6	Tropfschale	Residue tray
105304	7	Rückschale 200 - 240V komplett	Back panel 200 - 240 V complete
-	8	Netzanschlussleitung (auf Anfrage)	Power cord (on request)
307160	9	Dekoblech	Side panel

PEAK 200-240V 50/60Hz



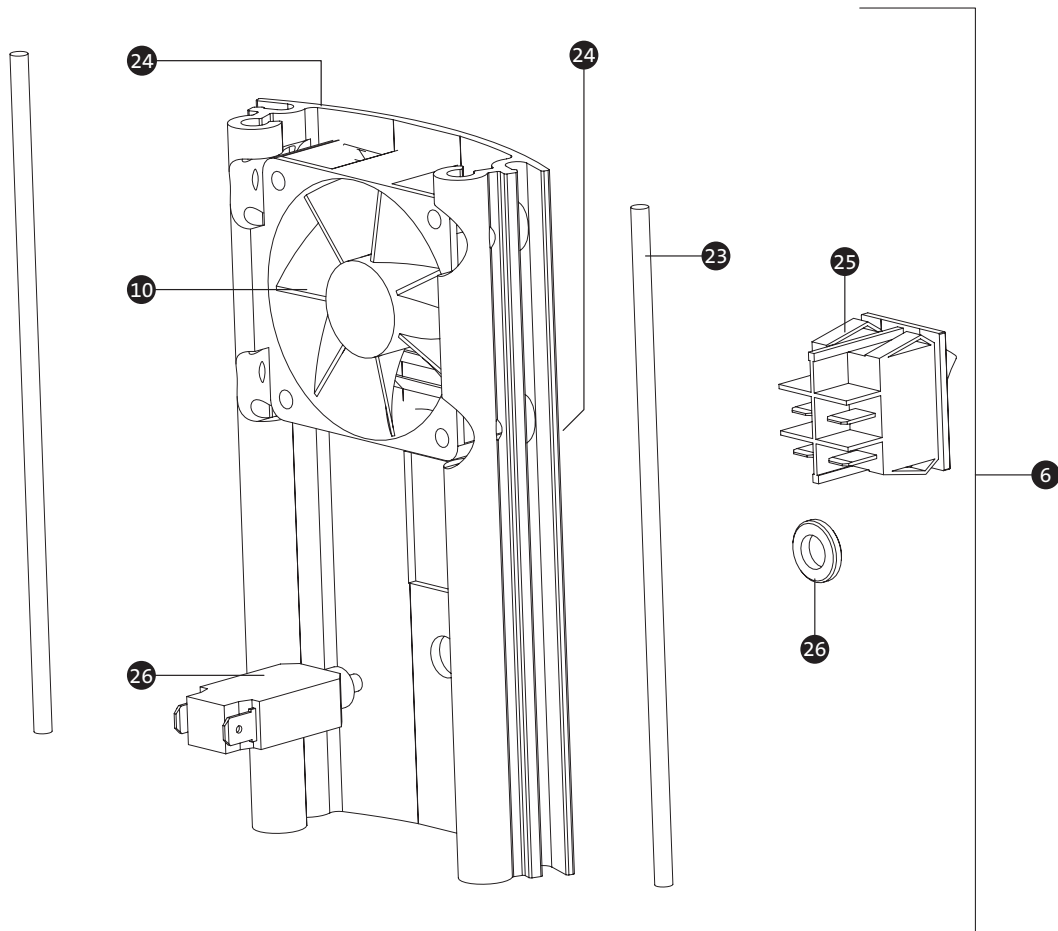
MATERIAL	POS.	BESCHREIBUNG	DESCRIPTION
105308	10	Lüfter 12VDC, Service Pack	Fan 12VDC, Service Pack
104612	11	Gewindestangen	Threaded rods
257326	12	Betriebskondensator 16 µF 440VAC	Operating capacitor 16 µF 440 VAC
310717	13	Startkondensator 20 µF 400V	Starting capacitor 20 µF 400V
104613	14	Gerätefüße	Device feet

PEAK 200-240V 50/60Hz



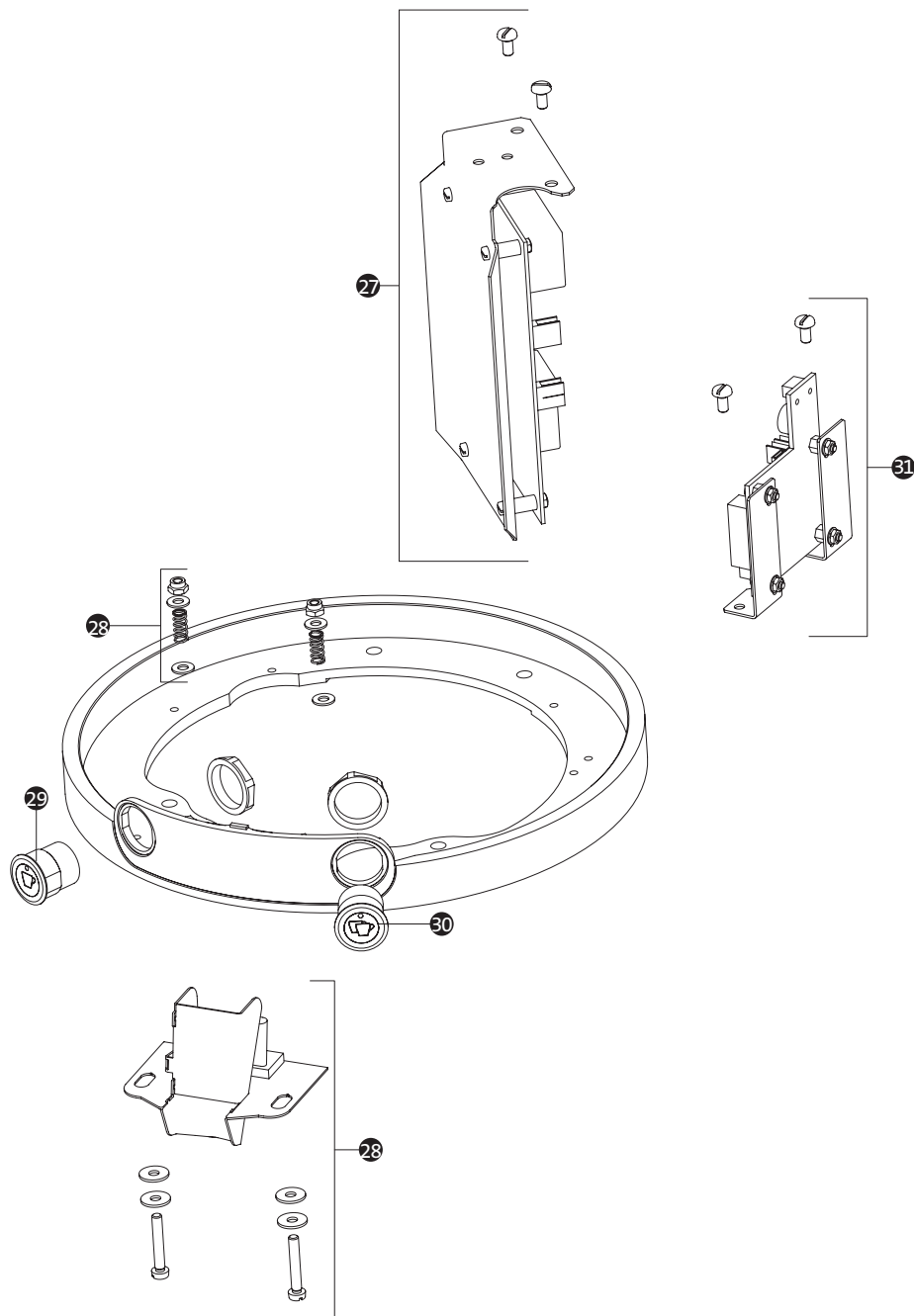
MATERIAL	POS.	BESCHREIBUNG	DESCRIPTION
104759	5	Vorderschale komplett	Front panel complet
104594	16	Schraubenset für Schaltwippe	Screw set for rocker switch
104593	17	Schaltwippe, Service Pack	Rocker switch, service pack
306720	18	Mikroschalter, Service Pack	Micro switch, service pack
104286	19	Vorderschale	Front panel
104595	20	Schaltwippenknopf, Service Pack	Rocker switch knob, service pack
307425	21	Siebträgeraufnahme	Portafilter mounting
104597	22	Siebträgerauflage, Service Pack	Portafilter support, service pack
306566	23	Gummischnüre	Rubber cords

PEAK 200-240V 50/60Hz



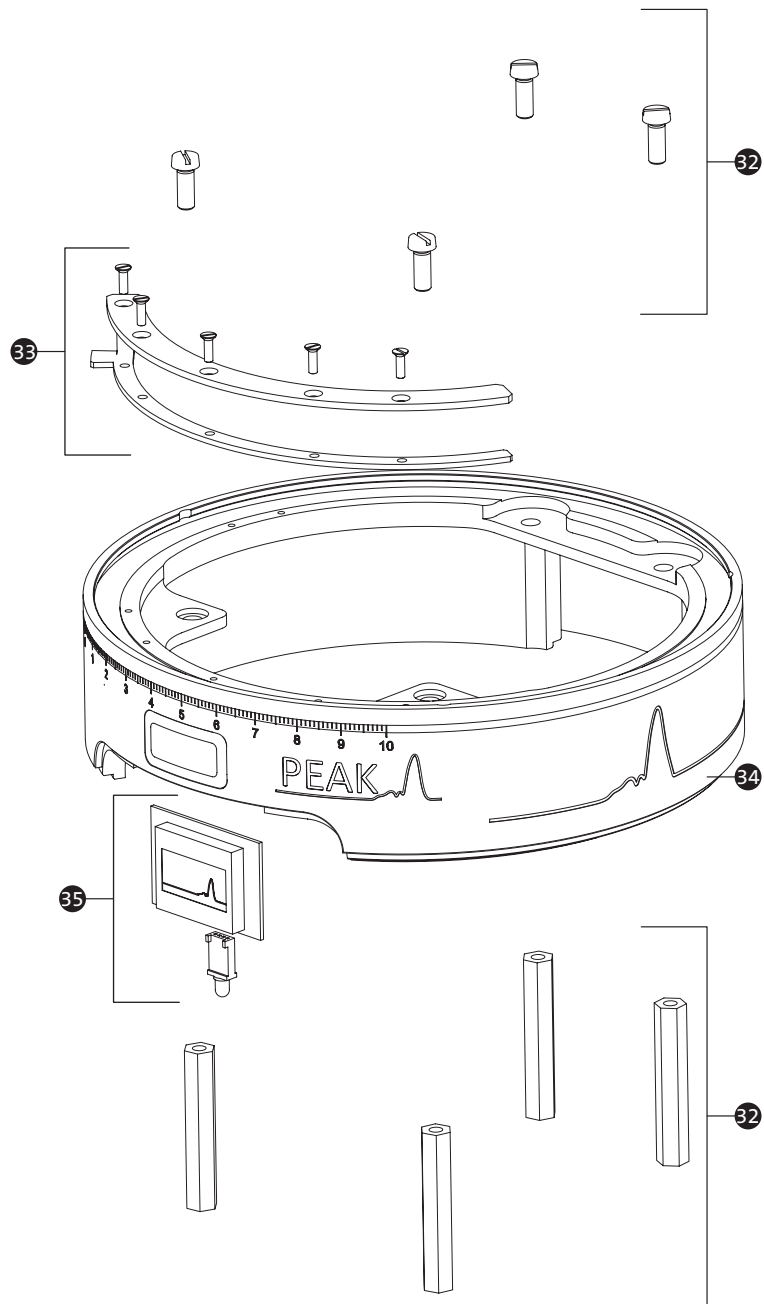
MATERIAL	POS.	BESCHREIBUNG	DESCRIPTION
105304	6	Rückschale komplett	Back panel complete
105308	10	Lüfter 12VDC, Service Pack	Fan 12VDC, service pack
306566	23	Gummischnüre	Rubber cords
103040	24	Rückschale	Back panel
102732	25	Wippenschalter	Rocker switch
306356	26	Geräteschutzschalter CBE-4A	Circuit breaker CBE-4 A

PEAK 200-240V 50/60Hz



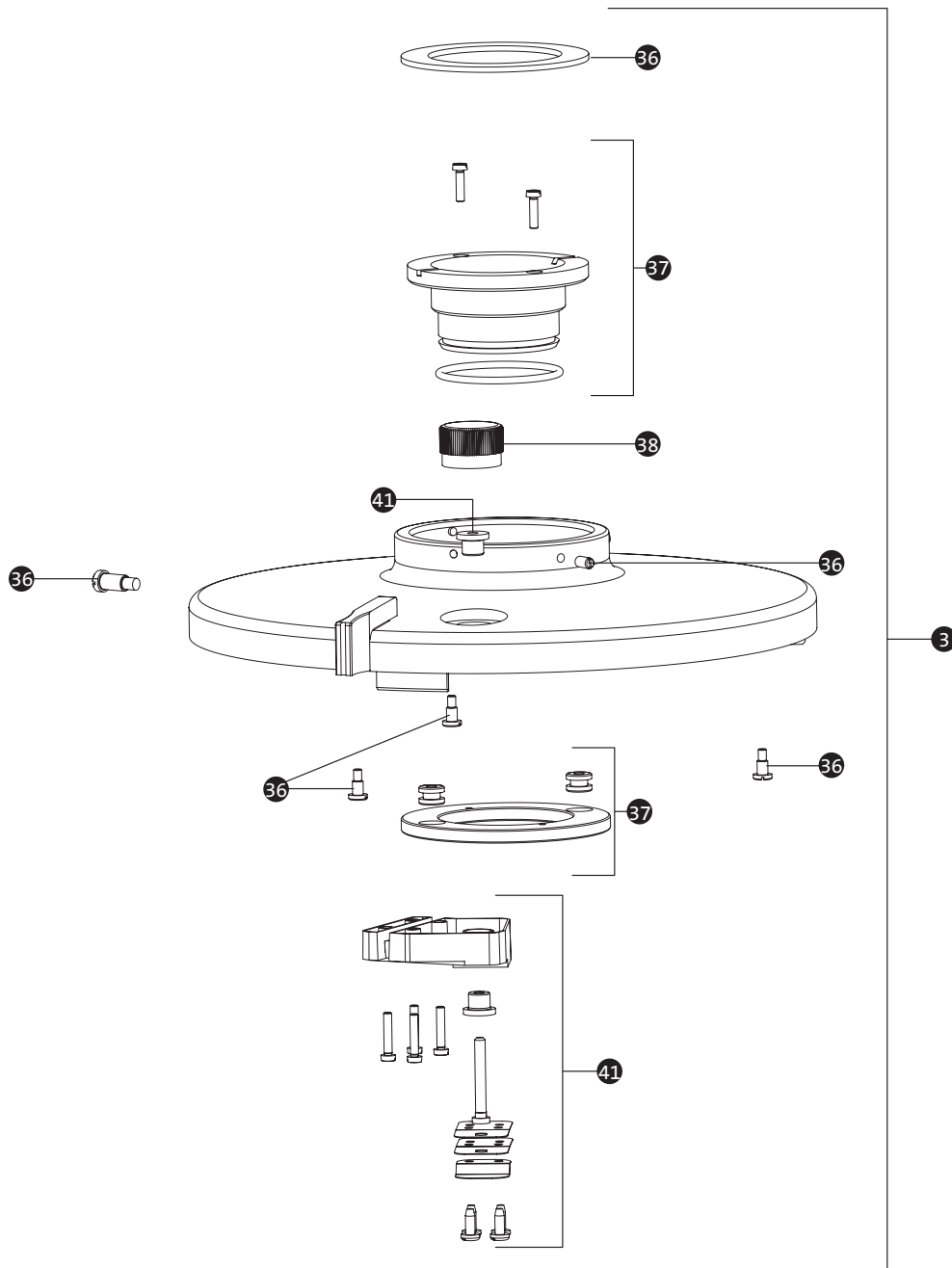
MATERIAL	POS.	BESCHREIBUNG	DESCRIPTION
105309	27	Netzteil 100-240V 10W	Powerboard 100-240V 10W
104586	28	Verstellbarer Auslauf	Adjustable spout
104618	29	Schalter "single shot" (LED rot)	Push button "single shot" (LED red)
104619	30	Schalter "double shot" (LED rot)	Push button "double shot" (LED red)
104620	31	Prozessorboard	Processorboard

PEAK 200-240V 50/60Hz



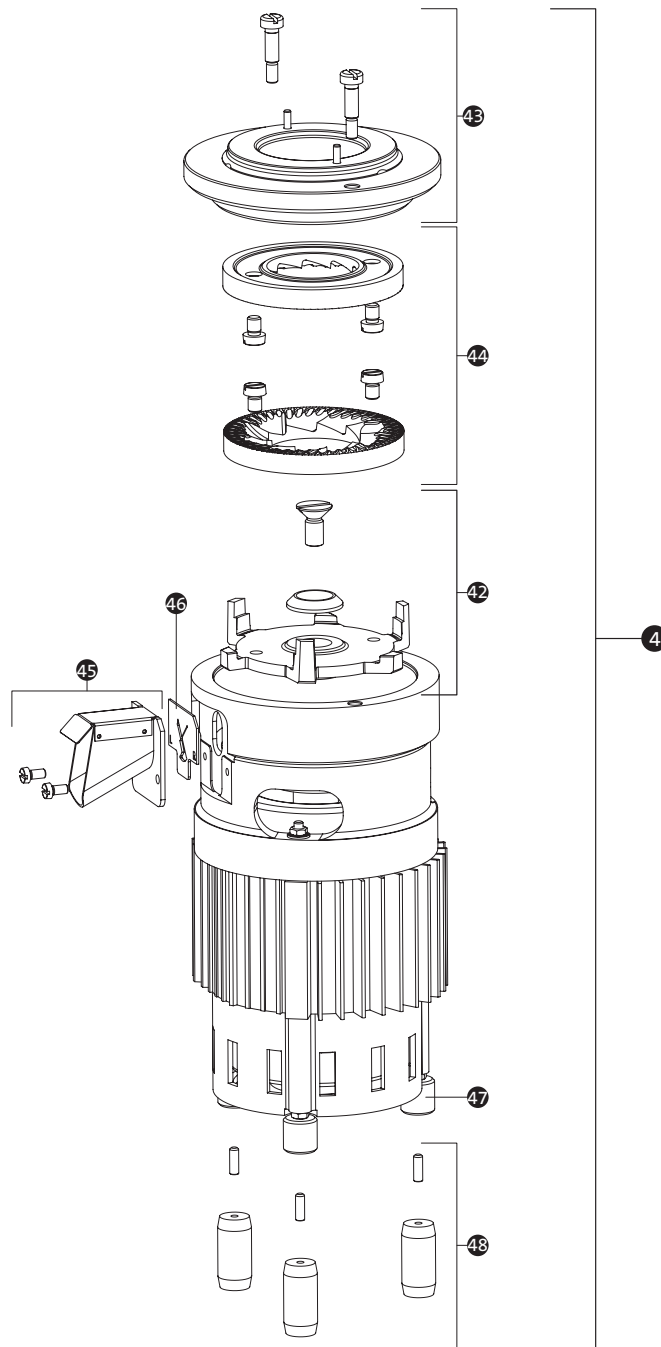
MATERIAL	POS.	BESCHREIBUNG	DESCRIPTION
104574	32	Abstandschalter inkl. Schrauben	Spacers incl. screws
104582	33	Distanz- und Spannschiene, Service Pack	Distance- and clamping rail, service pack
104636	34	Dekoring PEAK	Deco ring PEAK
104584	35	Display inkl. LED	Display incl. LED

PEAK 200-240V 50/60Hz



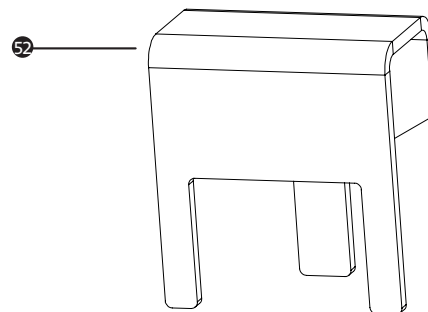
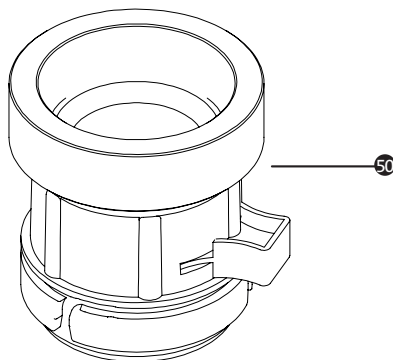
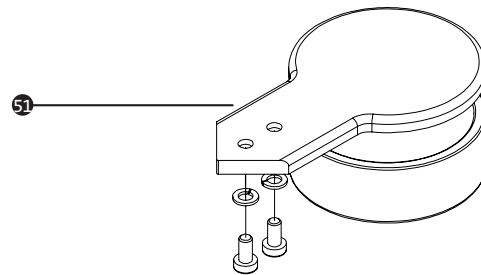
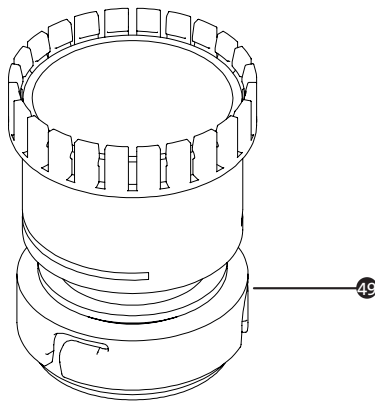
MATERIAL	POS.	BESCHREIBUNG	DESCRIPTION
104903	3	Deckel Mahlgradverstellung komplett	Cover with grind adjustment complete
104589	36	Schraubenset für den Deckel mit Mahlgradverstellung	Screw set for grinder cover
104591	37	Feinjustage Adapter, Service Pack	Fine adjustment adapter, service pack
308041	38	Entsperrknopf Mahlgradarretierung	Locking grind adjustment knob
104590	41	Mahlgradarretierung Kleinteile Set, Service Pack	Locking grind adjustment, service pack

PEAK 200-240V 50/60Hz



MATERIAL	POS.	BESCHREIBUNG	DESCRIPTION
104954	4	Einbaumühle 200 - 240V 60Hz 1100rpm	Built-in grinder 200 - 240V 60Hz 1100rpm
103014	4	Einbaumühle 200 - 240V 50Hz 900rpm	Built-in grinder 200 - 240V 50Hz 900rpm
104946	42	Mahlscheibenträger drehend	Grinding disc carrier rotary
104948	43	Mahlscheibenträger fest	Grinding disc carrier fixed
103993	44	Mahlscheibensatz	Grinding disc set
104949	45	Auslauf Mahlgehäuse	Spout grinding chamber
104792	46	Silikon Flapper (60Hz)	Silicone flapper (60Hz)
103576	46	Silikon Flapper (50Hz)	Silicone flapper (50Hz)
306140	47	Schwingmetall-Puffer	Shock absorber
105310	48	Adapterbolzen	Adapter bolts

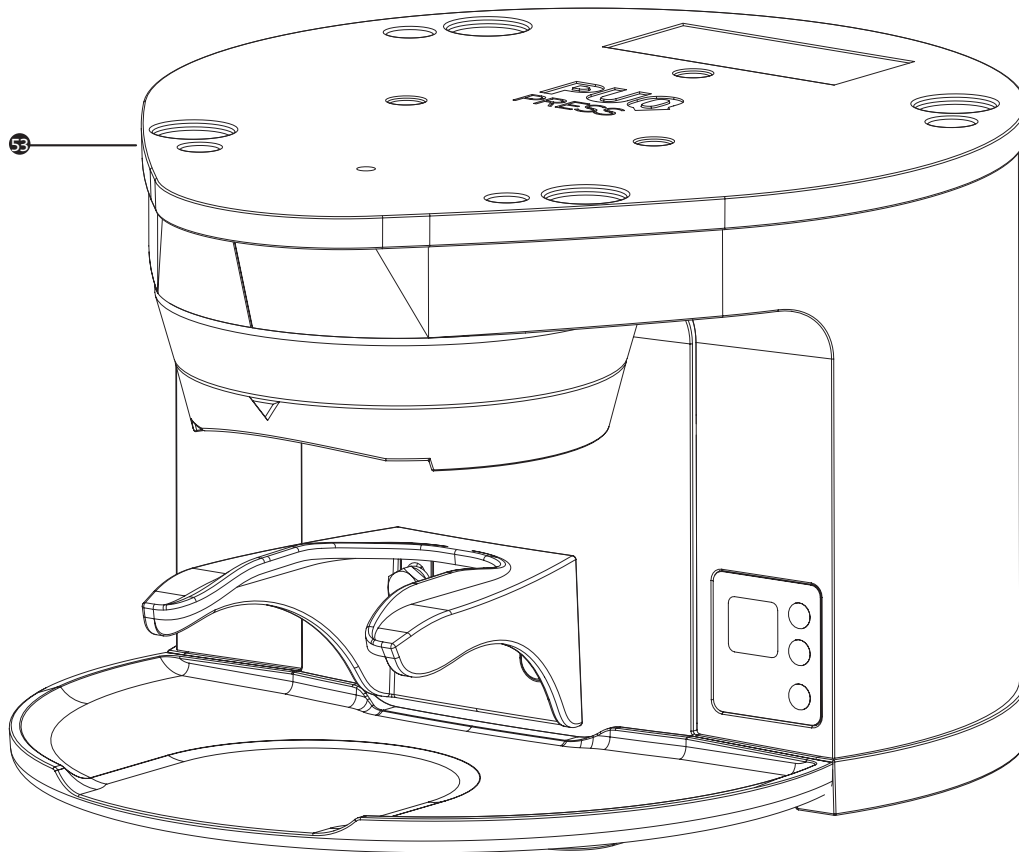
PEAK 200-240V 50/60Hz



MATERIAL	POS.	BESCHREIBUNG	DESCRIPTION
309466	49	Klemmadapter kpl. für Dosenhals 67,4 - 67,8 mm	Clamping adapter for can necks 67,4 - 67,8mm
100491	50	Schraubadapter. für Illy-Dose	Threaded adapter for Illy cans
308660	51	Tamperanbausatz d=53 mm	Tamper mounting kit d=53 mm
308787	51	Tamperanbausatz d=55 mm	Tamper mounting kit d=55 mm
310490	51	Tamperanbausatz d=57 mm	Tamper mounting kit d=57 mm
307226	51	Tamperanbausatz d=58 mm	Tamper mounting kit d=58 mm
101066	52	Werkzeug für Mahlscheibenwechsel	Tool for disc change

PEAK 200-240V 50/60Hz

PUQPRESS



MATERIAL	POS.	BESCHREIBUNG	DESCRIPTION
105450	53	Tamper d = 58,3 mm; Stecker Euro; schwarz	Tamper d = 58,3 mm; plug euro; black
105451	53	Tamper d = 58 mm; Stecker Euro; schwarz	Tamper d = 58 mm; plug euro; black
105452	53	Tamper d = 57 mm; Stecker Euro; schwarz	Tamper d = 57 mm; plug euro; black
105453	53	Tamper d = 54 mm; Stecker Euro; schwarz	Tamper d = 54 mm; plug euro; black
105454	53	Tamper d = 53 mm; Stecker Euro; schwarz	Tamper d = 53 mm; plug euro; black
105470	53	Tamper d = 58,3 mm; Stecker: Australien; schwarz	Tamper d = 58,3 mm; plug euro; black
105471	53	Tamper d = 58 mm; Stecker: Australien; schwarz	Tamper d = 58 mm; plug: Australia; black
105472	53	Tamper d = 57 mm; Stecker: Australien; schwarz	Tamper d = 57 mm; plug: Australia; black
105473	53	Tamper d = 54 mm; Stecker: Australien; schwarz	Tamper d = 54 mm; plug: Australia; black
105474	53	Tamper d = 53 mm; Stecker: Australien; schwarz	Tamper d = 53 mm; plug: Australia; black

PEAK 200 - 240V 50/60 Hz

PUQPRESS

MATERIAL	POS.	BESCHREIBUNG	DESCRIPTION
105490	53	Tamper d = 58,3 mm; Stecker: UK; schwarz	Tamper d = 58,3 mm; plug: Australia; black
105491	53	Tamper d = 58 mm; Stecker: UK; schwarz	Tamper d = 58 mm; plug: UK; black
105492	53	Tamper d = 57 mm; Stecker: UK; schwarz	Tamper d = 57 mm; plug: UK; black
105493	53	Tamper d = 54 mm; Stecker: UK; schwarz	Tamper d = 54 mm; plug: UK; black
105494	53	Tamper d = 53 mm; Stecker: UK; schwarz	Tamper d = 53 mm; plug: UK; black
105530	53	Tamper d = 58,3 mm; Stecker: Denmark; schwarz	Tamper d = 58,3 mm; plug: Denmark; black
105531	53	Tamper d = 58 mm; Stecker: Denmark; schwarz	Tamper d = 58 mm; plug: Denmark; black
105532	53	Tamper d = 57 mm; Stecker: Denmark; schwarz	Tamper d = 57 mm; plug: Denmark; black
105533	53	Tamper d = 54 mm; Stecker: Denmark; schwarz	Tamper d = 54 mm; plug: Denmark; black
105534	53	Tamper d = 53 mm; Stecker: Denmark; schwarz	Tamper d = 53 mm; plug: Denmark; black
105550	53	Tamper d = 58,3 mm; Stecker: Korea; schwarz	Tamper d = 58,3 mm; plug: Korea; black
105551	53	Tamper d = 58 mm; Stecker: Korea; schwarz	Tamper d = 58 mm; plug: Korea; black
105552	53	Tamper d = 57 mm; Stecker: Korea; schwarz	Tamper d = 57 mm; plug: Korea; black
105553	53	Tamper d = 54 mm; Stecker: Korea; schwarz	Tamper d = 54 mm; plug: Korea; black
105554	53	Tamper d = 53 mm; Stecker: Korea; schwarz	Tamper d = 53 mm; plug: Korea; black

PEAK 200-240V 50/60Hz

ÄNDERUNGEN IN DER ERSATZTEILLISTE - CHANGES IN THE SPARE PARTS LIST:

VERS.	MATERIAL	POS.	BESCHREIBUNG	DESCRIPTION	BEMERKUNG	COMMENT

gültig ab / valid from

06-01-2017 | Seriennummer/Serial no: 576339

Änderungen vorbehalten. Subject to change without prior notice.

